

MENABO

free time on the move

ANTARES 2 ANTARES 3

IT Istruzioni di montaggio

EN Fitting instructions

DE Montageanleitung

FR Instructions de montage

ES Instrucciones de montaje

BG инструкции за сглобяване

CS Návod na montáž

DA Monteringsvejledning

EL Οδηγίες συναρμολόγησης

ET Paigaldusjuhend

FI Asennusohje

HR Uputa za sastavljanje

HU A felszerelés módja

LT Pritvirtinimo instrukcijos

LV Stiprināšanas instrukcija

NL Montagehandleiding

NO Monteringsanvisning

PL Instrukcja montażu

PT Instruções de Montagem

RO Instrucțiuni de montare

RU Инструкции по установке

SK Návod na montáž

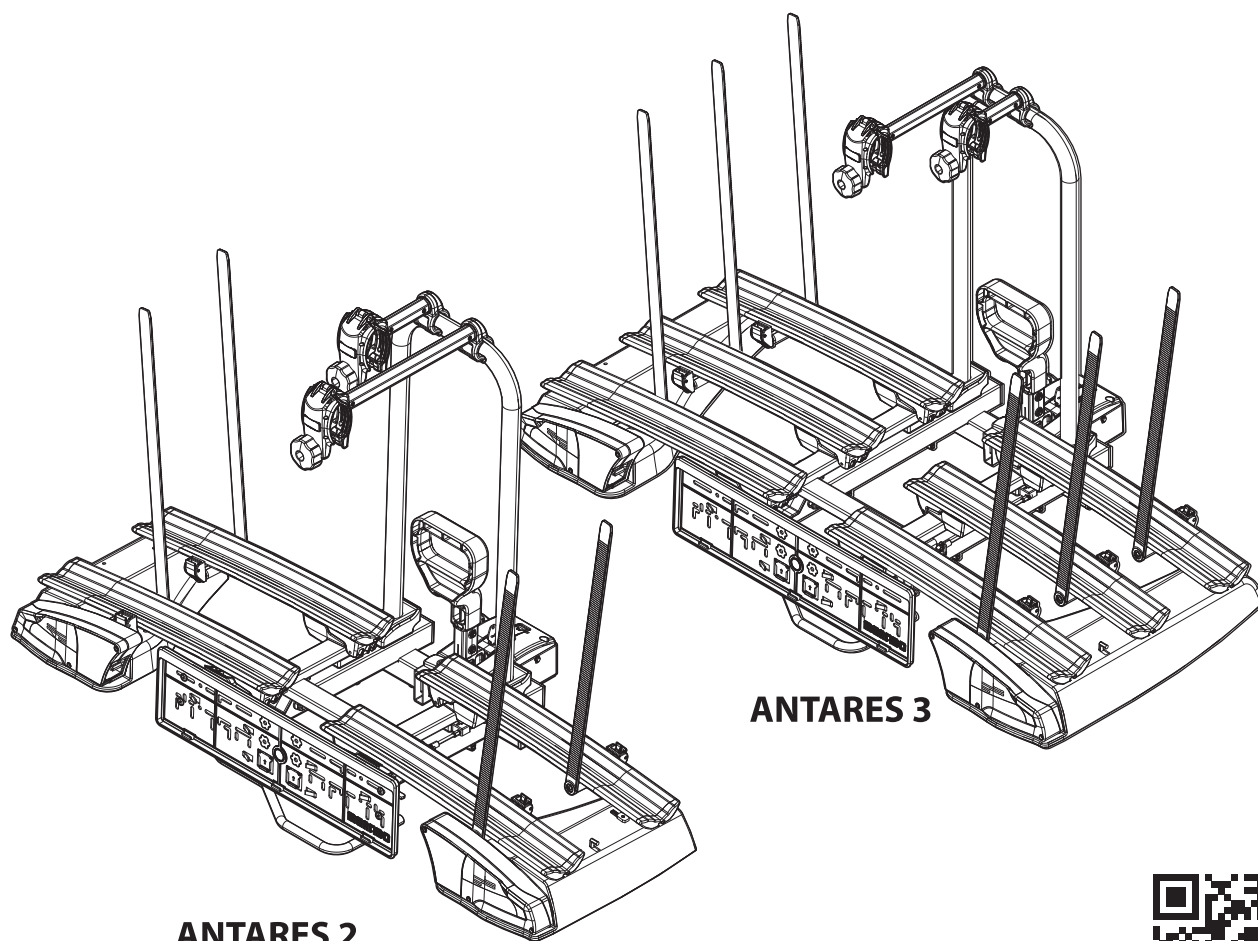
SL Navodila za pritrdjevanje

SV Monteringsanvisning

TK Uydurma talimat

ZH 裝修指導

AR كتيب التعليمات



ANTARES 2

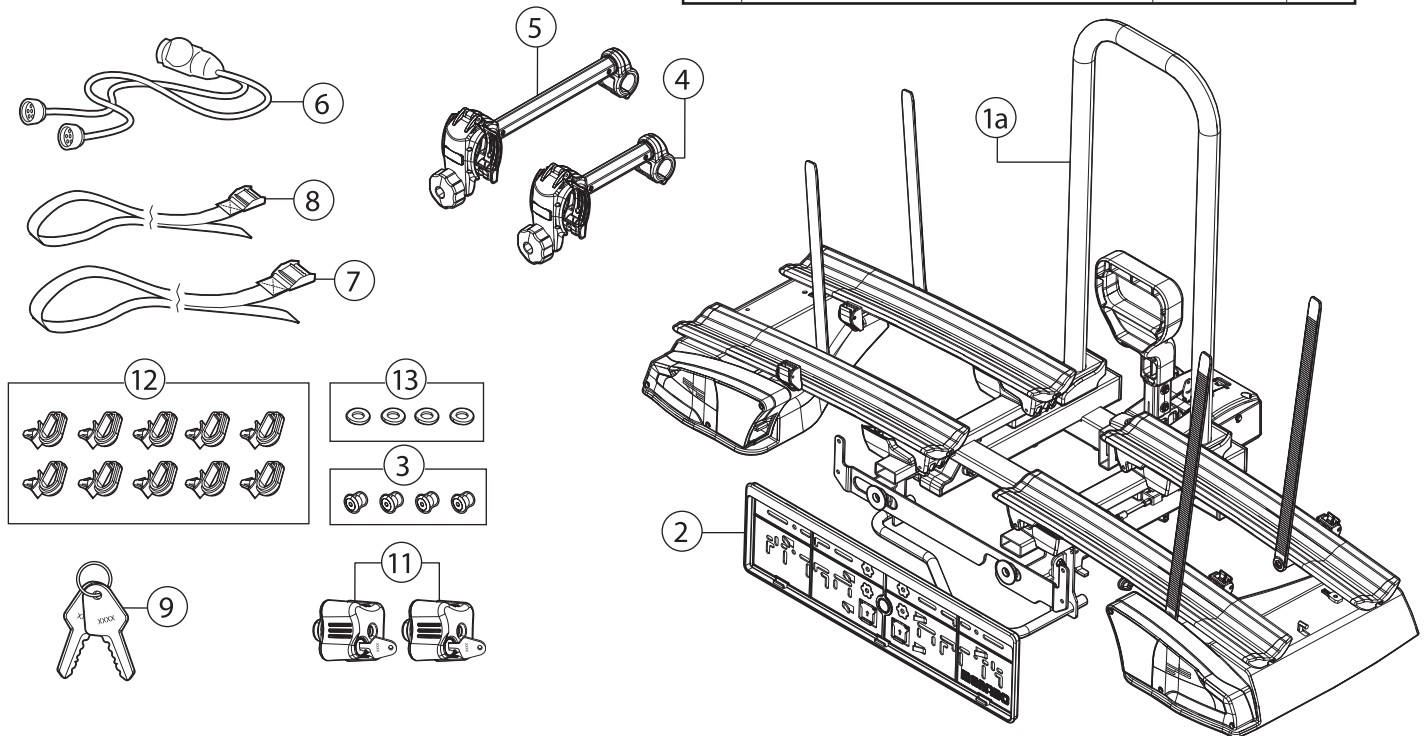
ANTARES 3



ANTARES 2

N.	[IT]Componenti (Inclusi) [EN]Components (Included) [FR]Composants (Comprises) [DE]Die Komponenten (im Lieferumfang enthalten) [ES]Componentes (Incluido)	Q.
1a		1
2		1
3		4
4		1
5		1
6		1
7		1
8		1
9		2
11		2
12		10
13		4

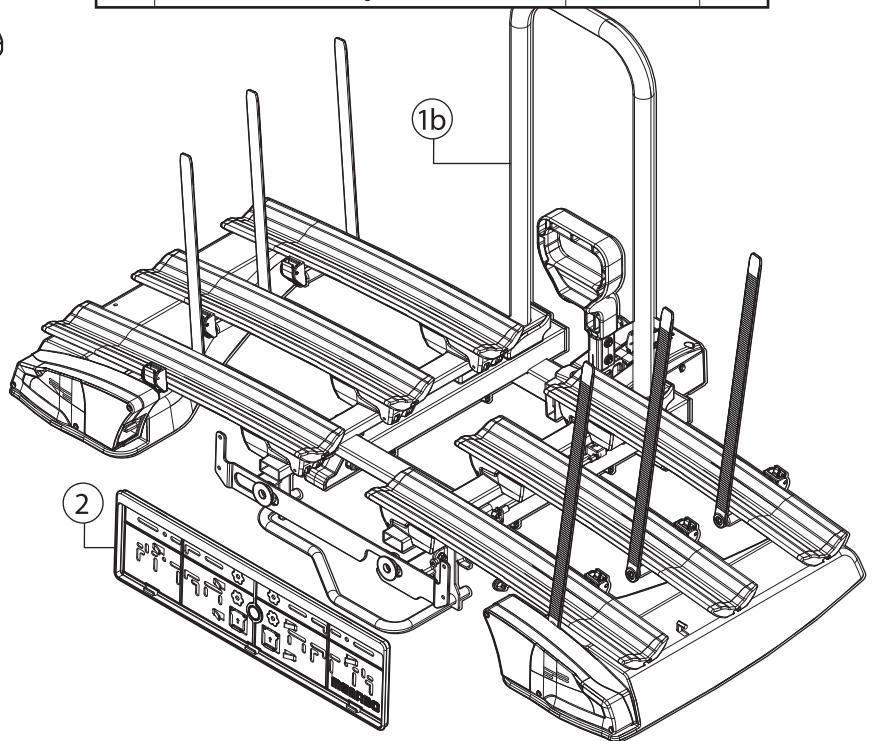
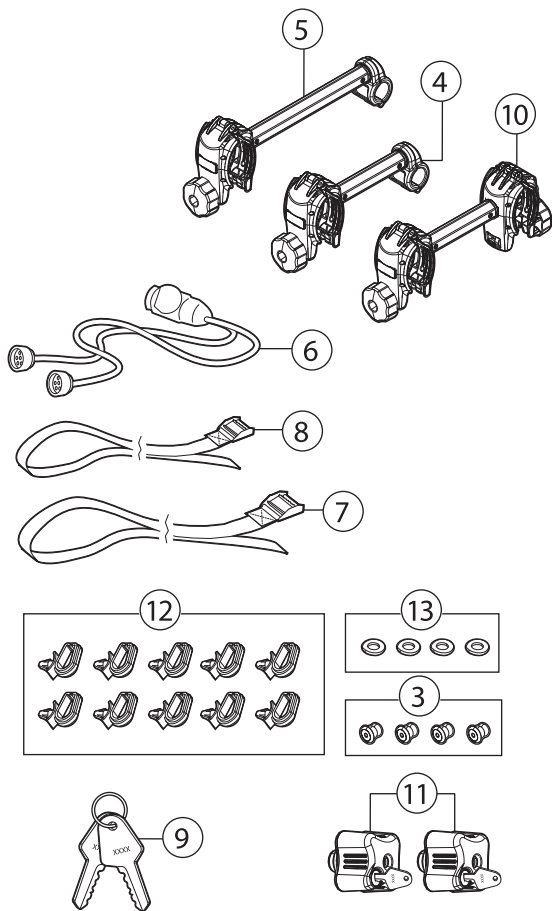
N.	[IT]Ricambi (A Richiesta) [EN]Spare Parts (Made to order) [FR]Pièces de rechange (Sur commande) [DE]E Teile (auf Anfrage) [ES]Piezas de recambio (Previa solicitud)	Codice-Code-Código	Q.
2		700007500000	1
3		700044400000	4
13			4
4		700003200000	1
5		700003100000	1
6		700033600000	1
7		700001100000	1
8		700033400000	1
11		000026400000	1
12		700024000000	2
A		700033700000	1
B		700033800000	1
C		700044300000	1
D		700044200000	1
E		700034100000	2
F		700031500000	1
G		700031300000	1
H		700031400000	1
I		700046100000	1
L		700045200000	1



ANTARES 3

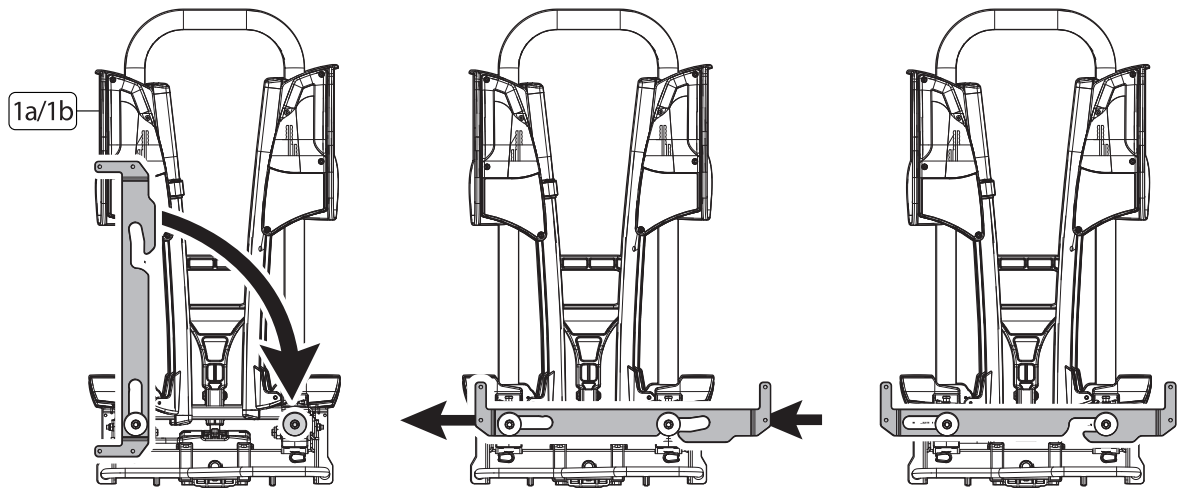
N.	[IT]Componenti (Inclusi) [EN]Components (Included) [FR]Composants (Comprises) [DE]Die Komponenten (im Lieferumfang enthalten) [ES]Componentes (Incluido)	Q.
1b		1
2		1
3		4
4		1
5		1
10		1
6		1
7		1
8		1
9		2
11		4
12		10
13		4

N.	[IT]Ricambi (A Richiesta) [EN]Spare Parts (Made to order) [FR]Pièces de rechange (Sur commande) [DE]E Teile (auf Anfrage) [ES]Piezas de recambio (Previa solicitud)	Codice-Code-Código	Q.
2		700007500000	1
3		700044400000	4
13			4
4		700003200000	1
5		700003100000	1
6		700033600000	1
7		700001100000	1
8		700033400000	1
10		700006900000	1
11		000026400000	1
12		700024000000	2
A		700033700000	1
B		700033800000	1
I		700034000000	1
L		700033900000	1
E		700034100000	2
F		700031500000	1
G		700031300000	1
H		700031400000	1
I		700046100000	1
L		700045200000	1

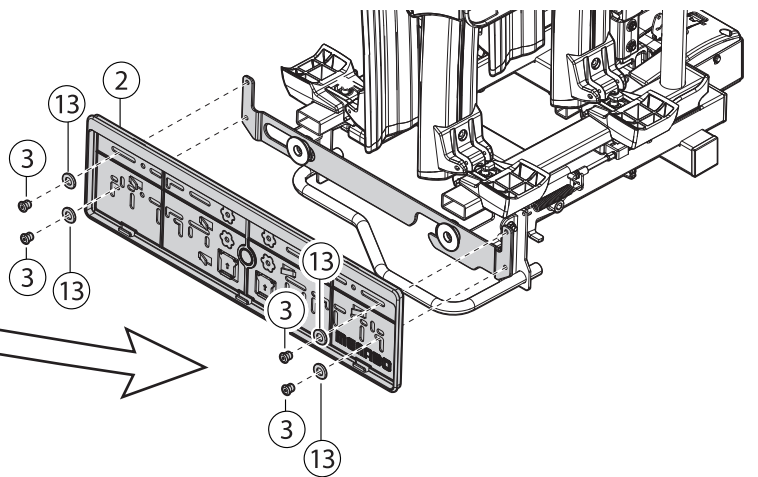
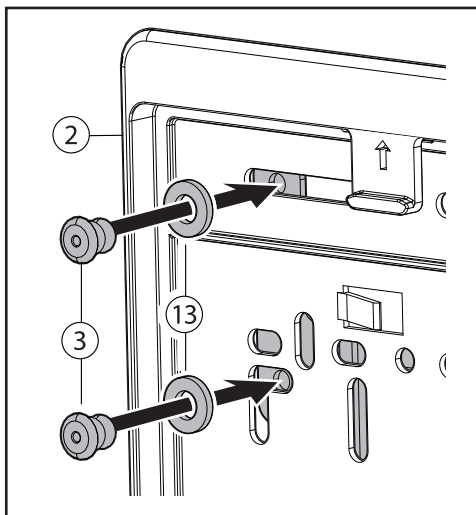
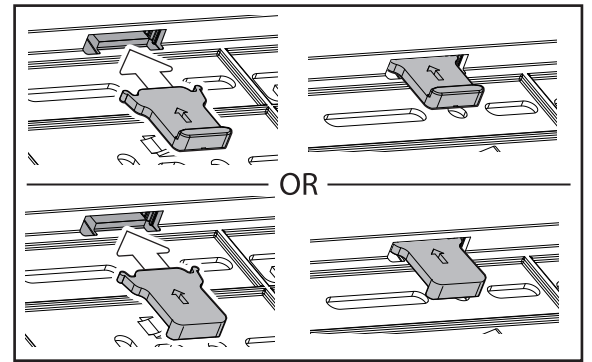
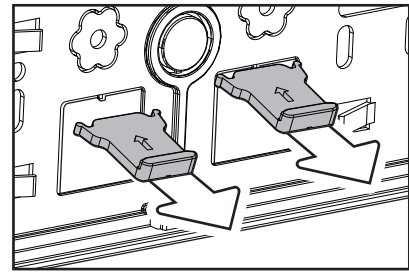
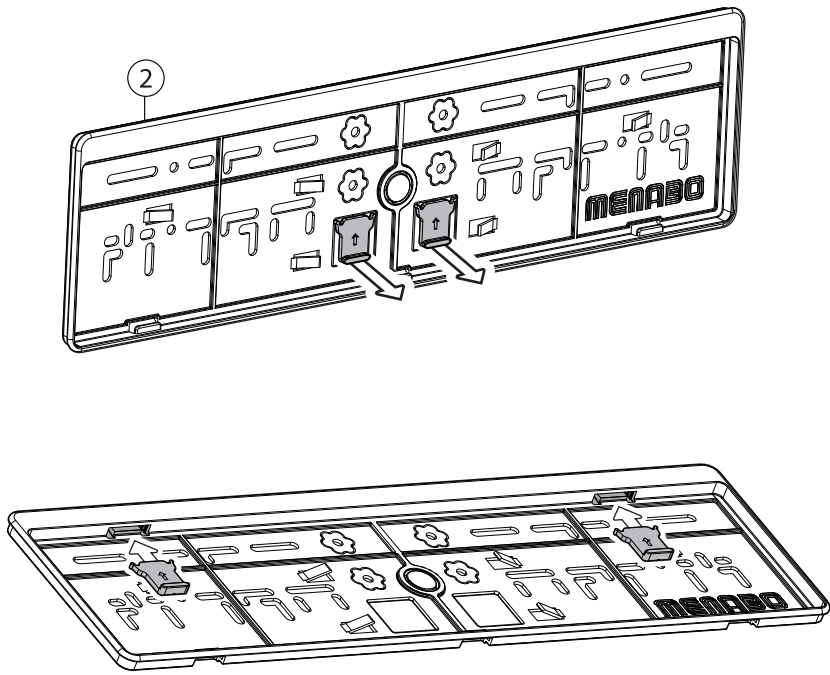


①

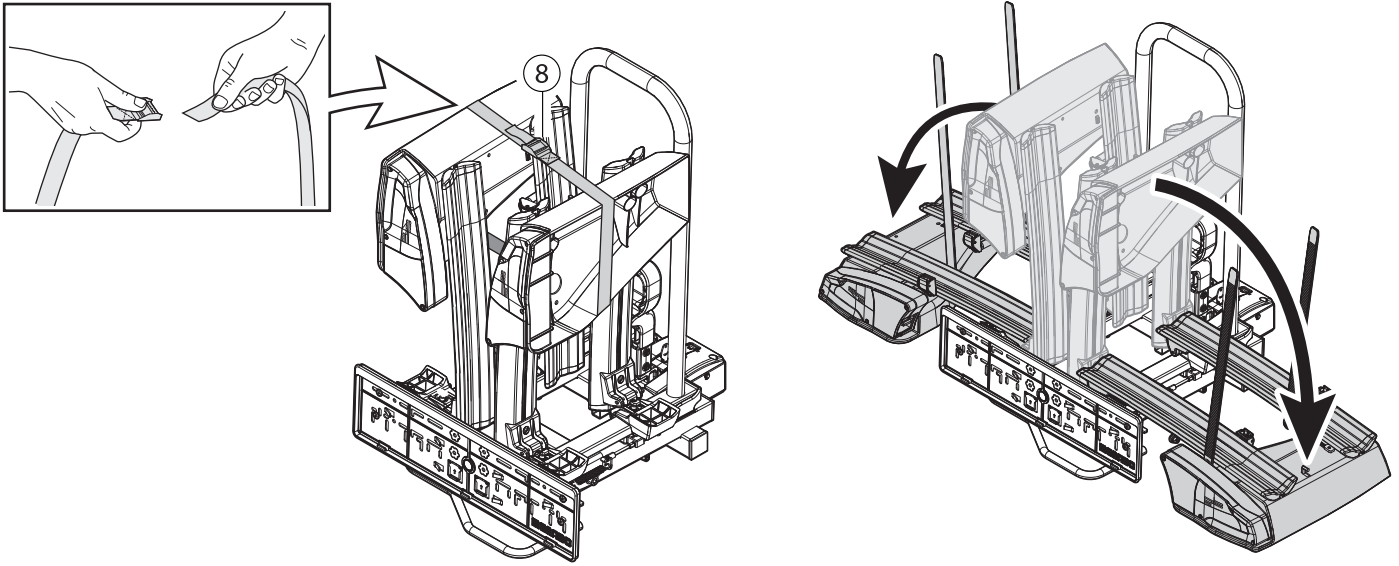
N		Q
1a		1
1b		1
2		1
3		4
13		4



②

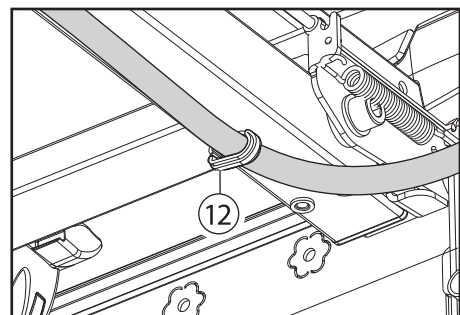
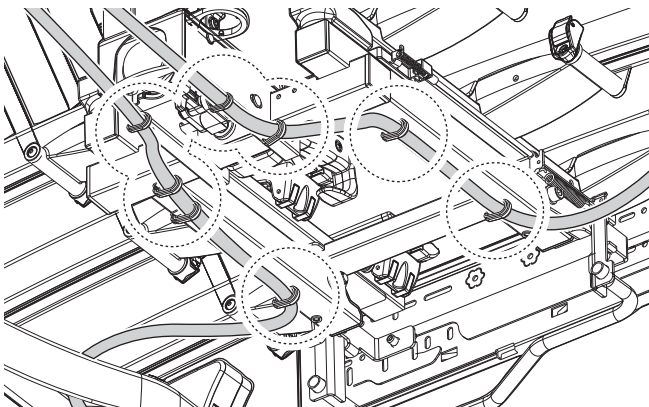
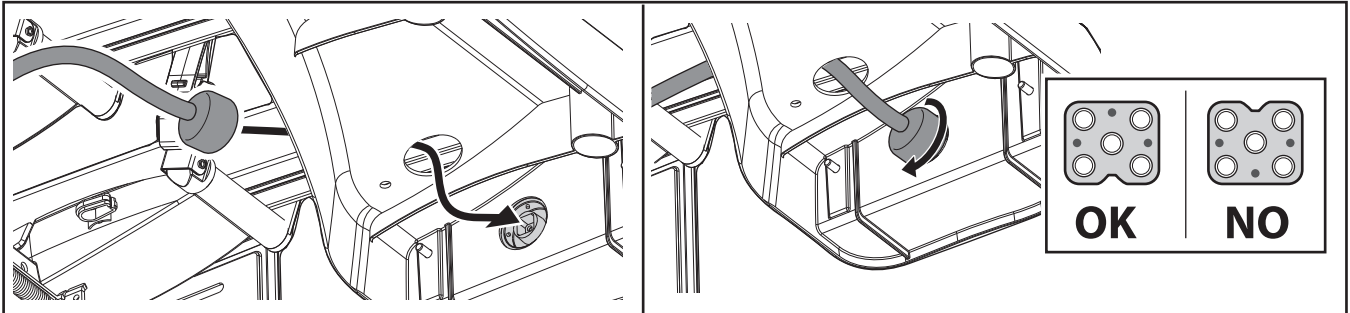
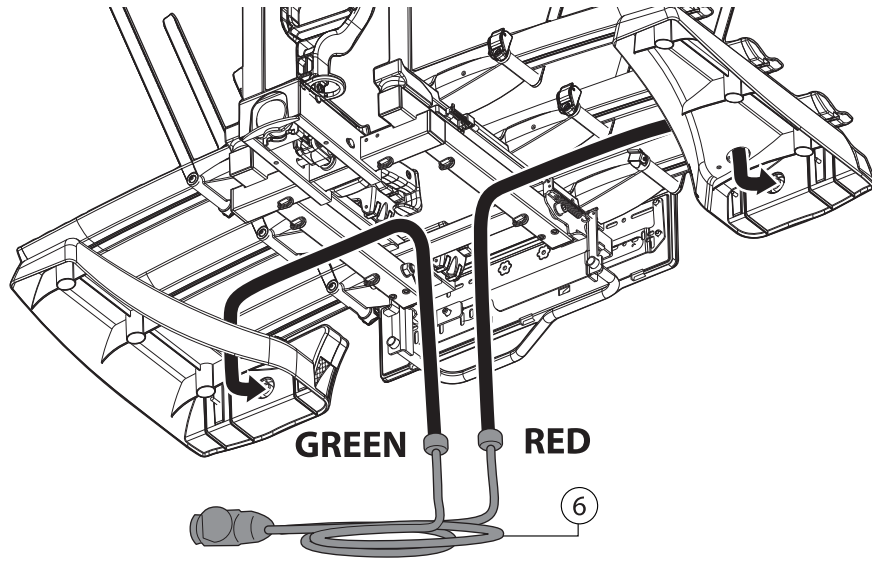


3

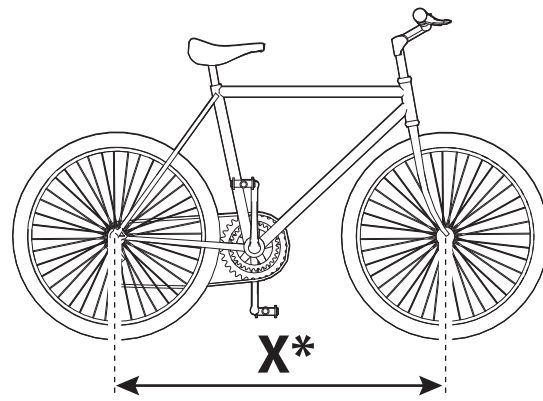


4

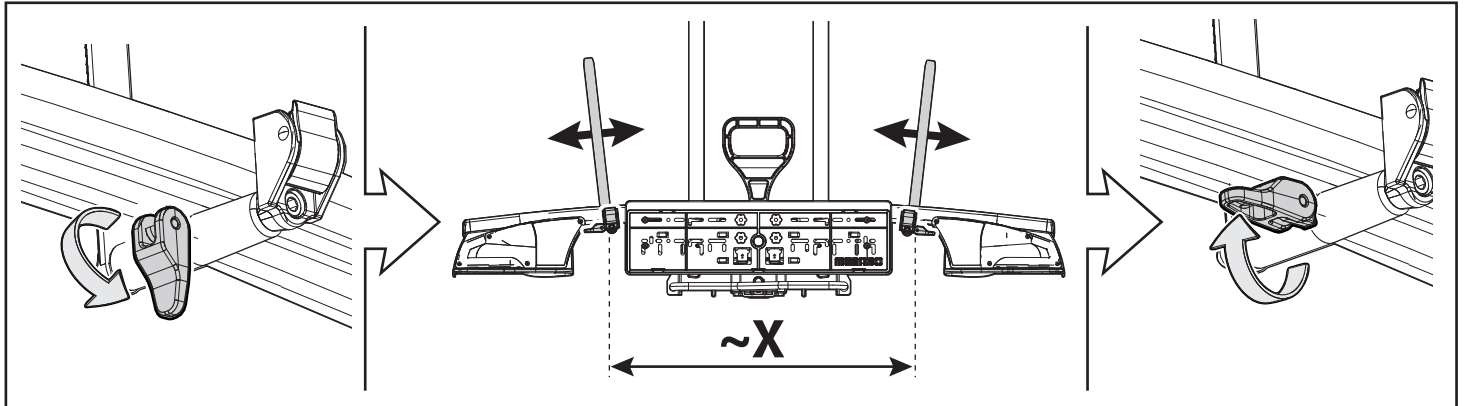
N.		Q.
6		1
12		10



5

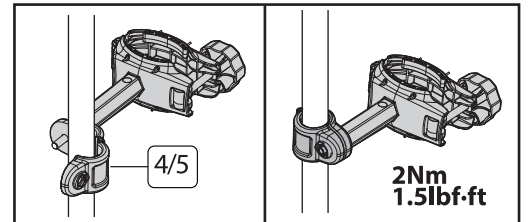
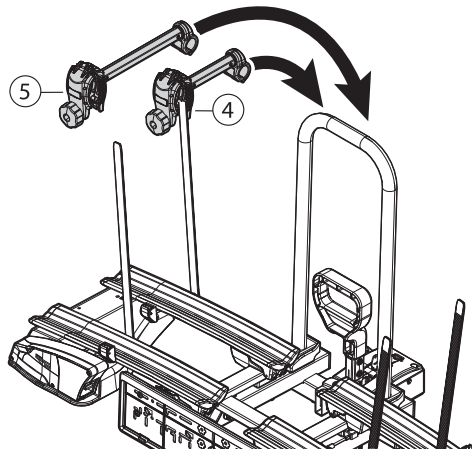


*X: Max 1130mm / 44.4"

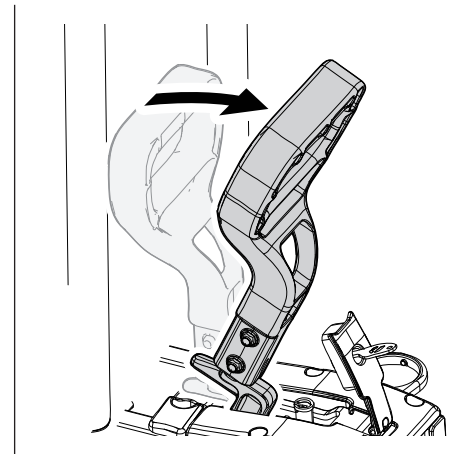
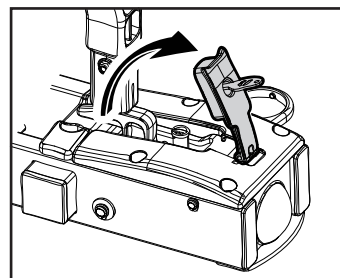
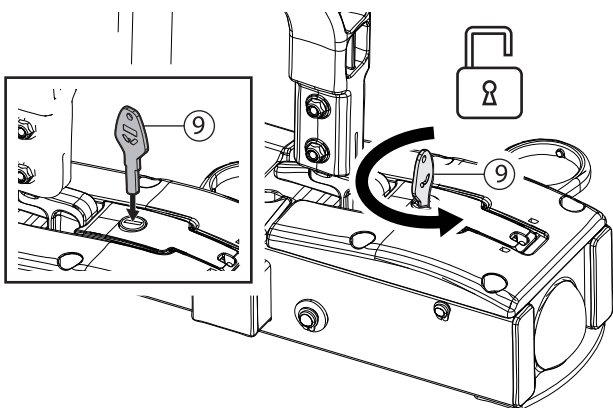



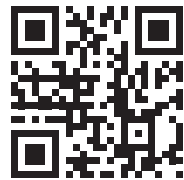
6

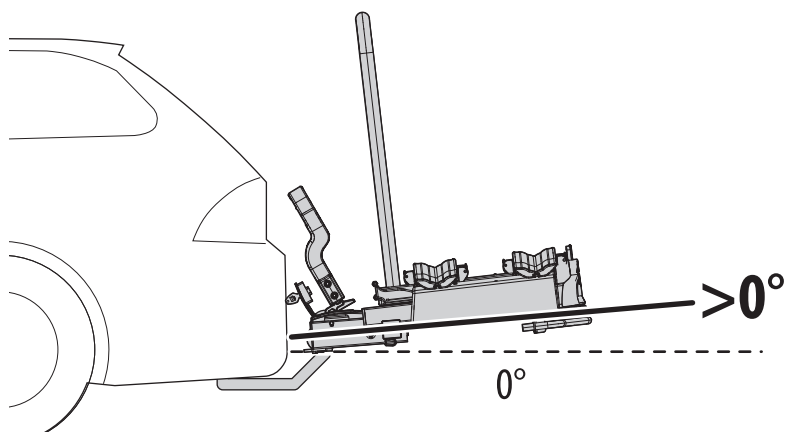
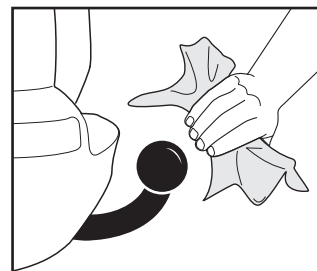
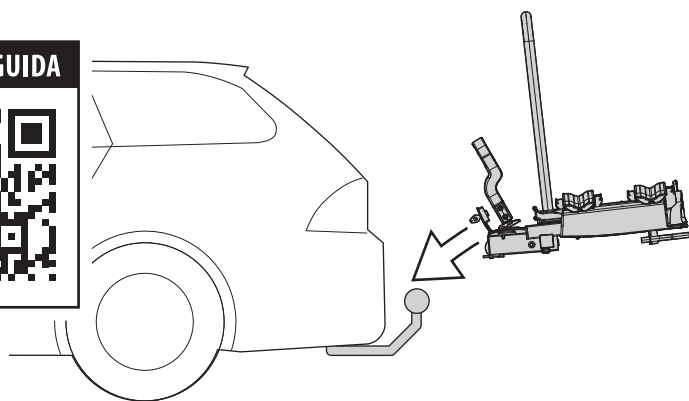
N		Q
4		1
5		1




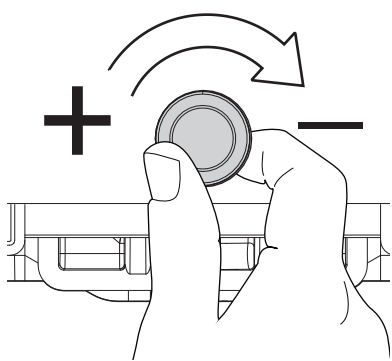



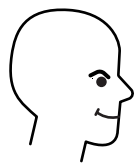
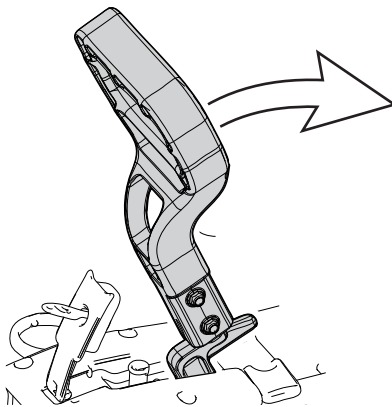
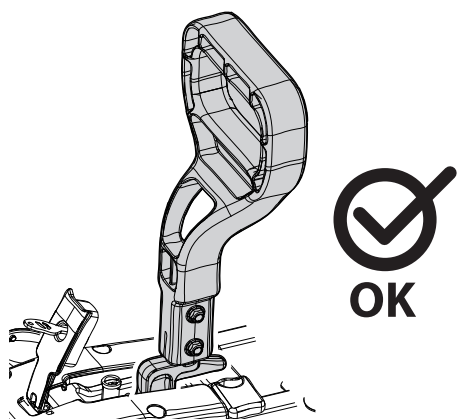
7

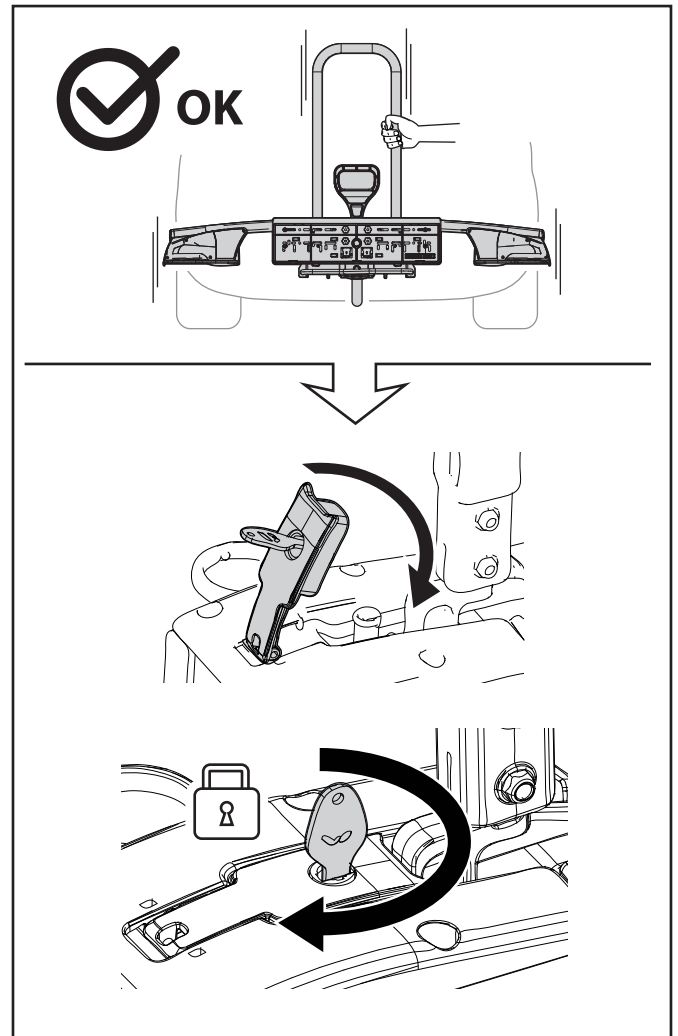
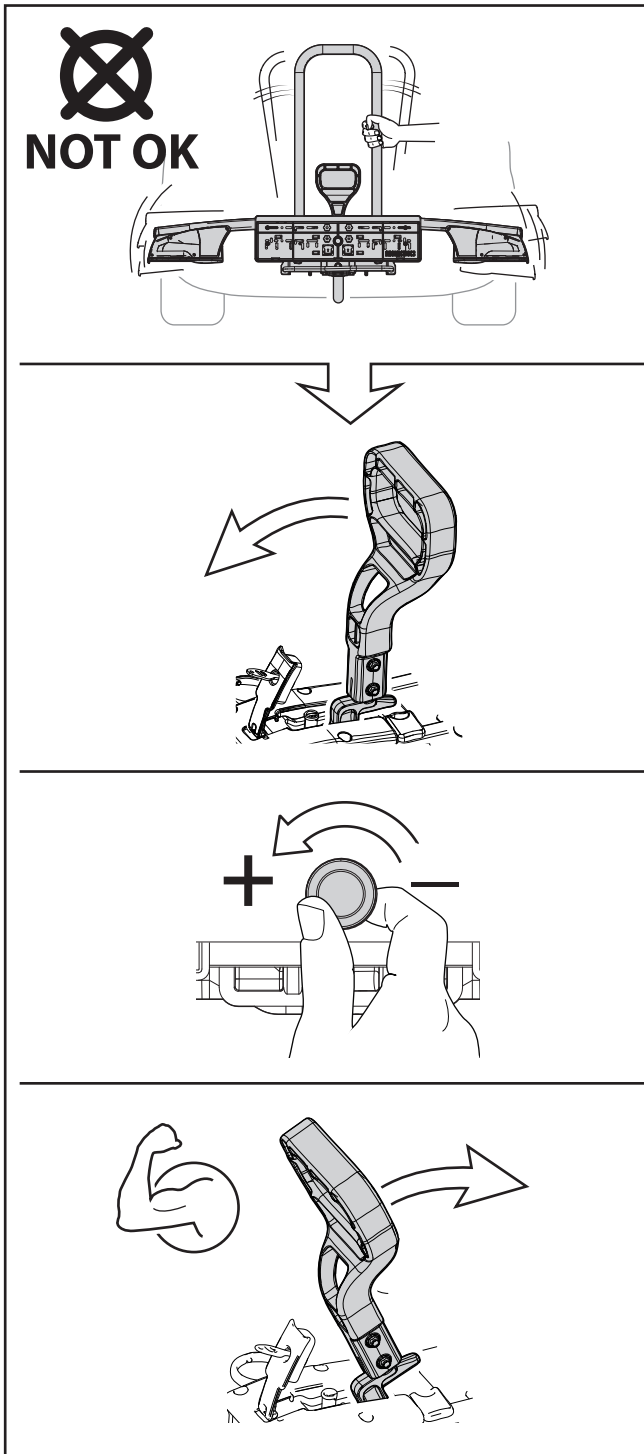
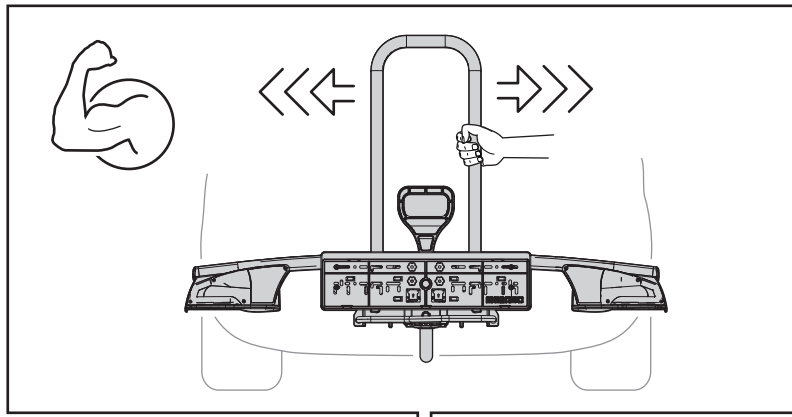


EN) VIDEO GUIDE	IT) VIDEO GUIDA
	

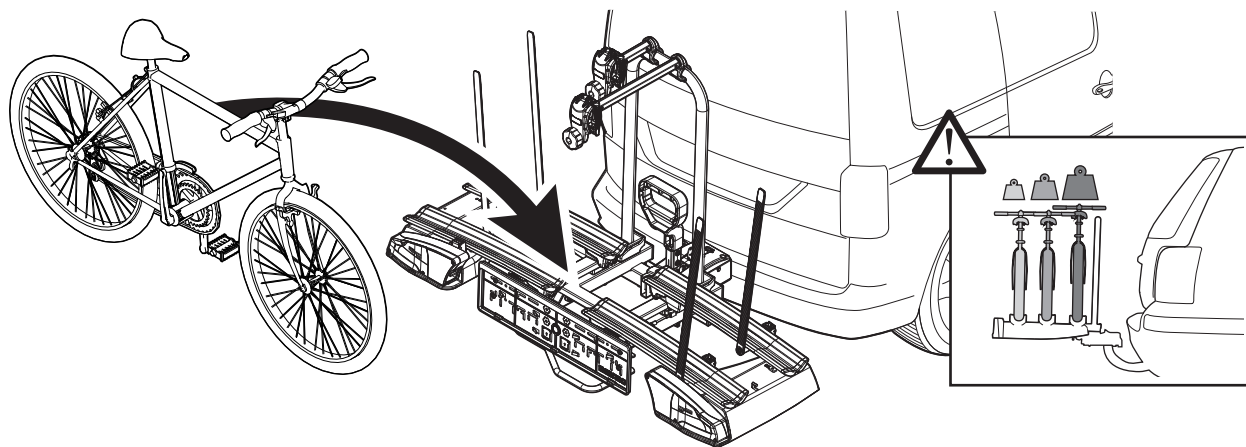


 		
--	---	---

 		
--	---	--



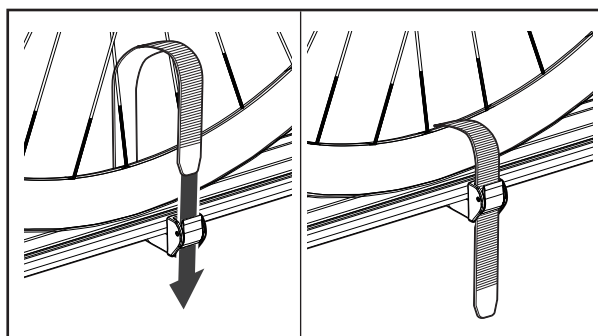
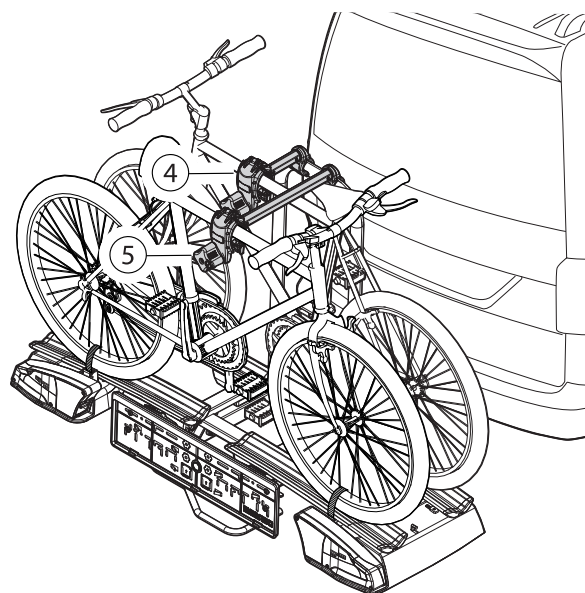
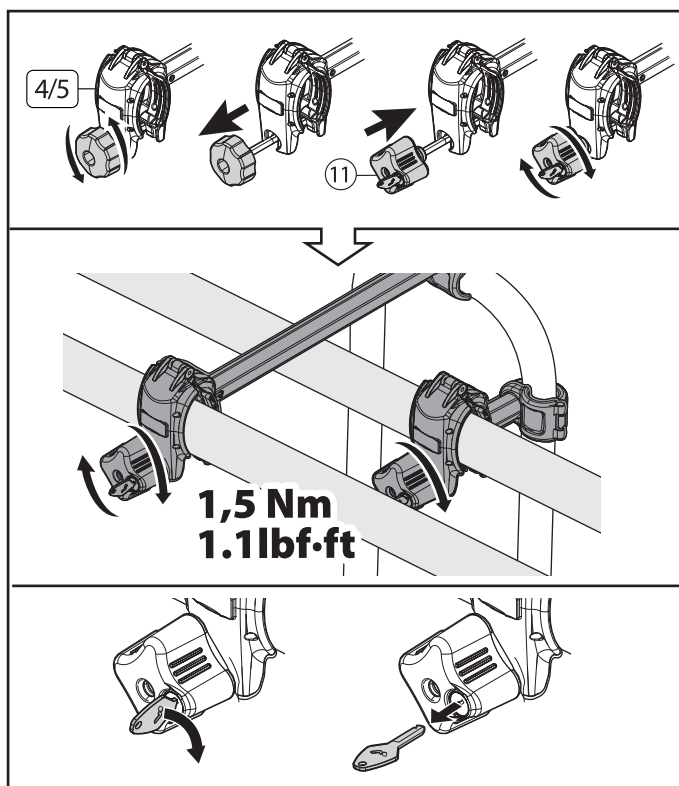
pag.09



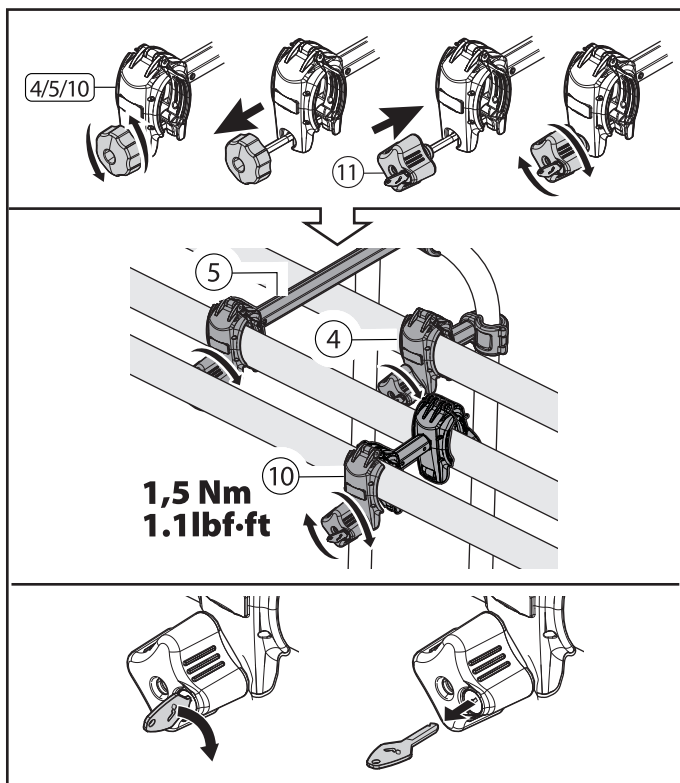
		MIN Ø30 mm / 1.2" MAX Ø50 mm / 2"	MIN 22" MAX 29"	MAX 110mm / 4.3"	MAX 1130mm / 44.4"
		MIN 30x60 mm / 1.2"x2.4" MAX 50x70 mm / 2"x2.7"			

10 ANTARES 2

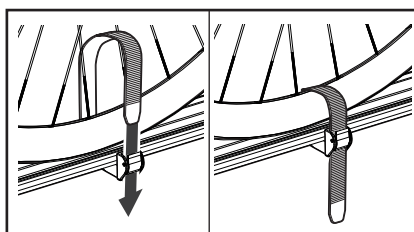
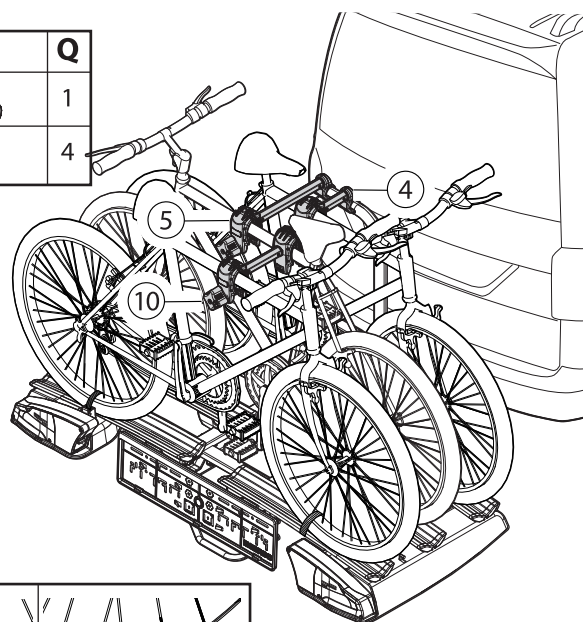
N		Q
11		2



10 ANTARES 3

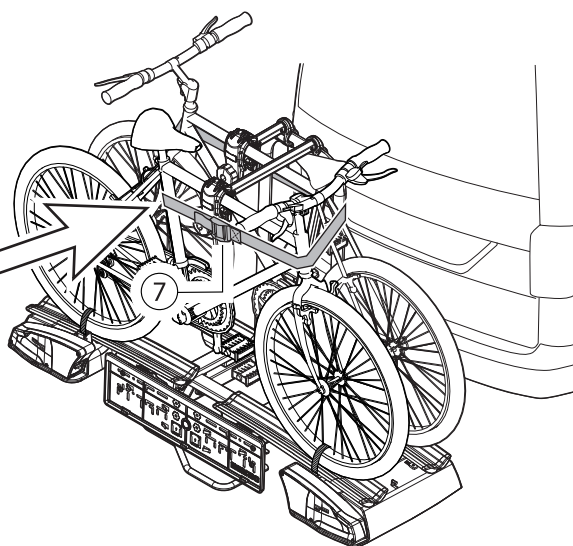
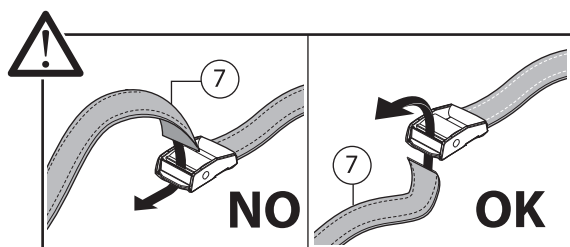


N		Q
10		1
11		4

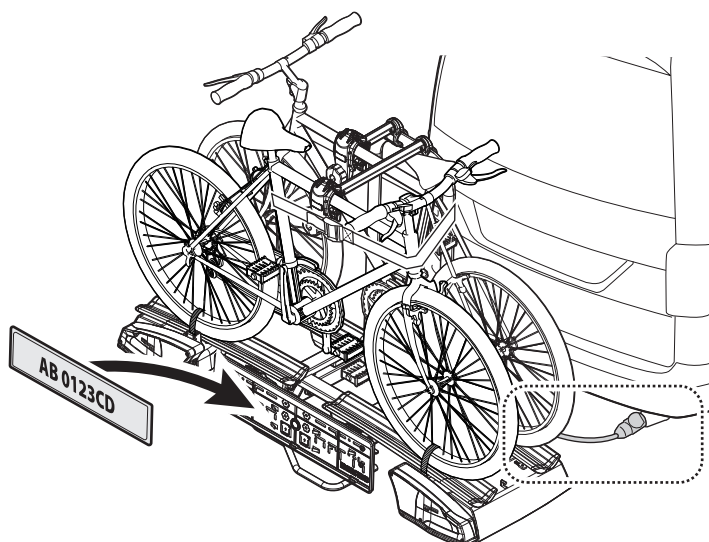
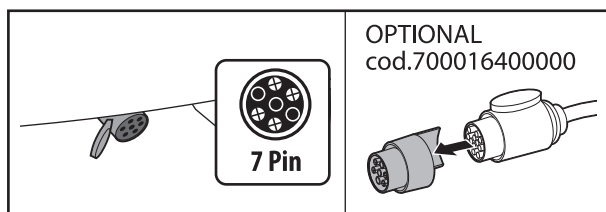
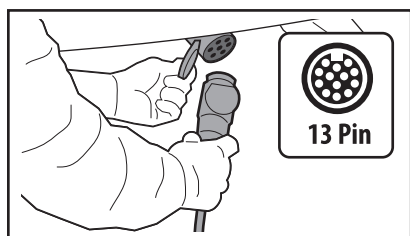


11

N.		Q.
7	2,5m - 8ft	1

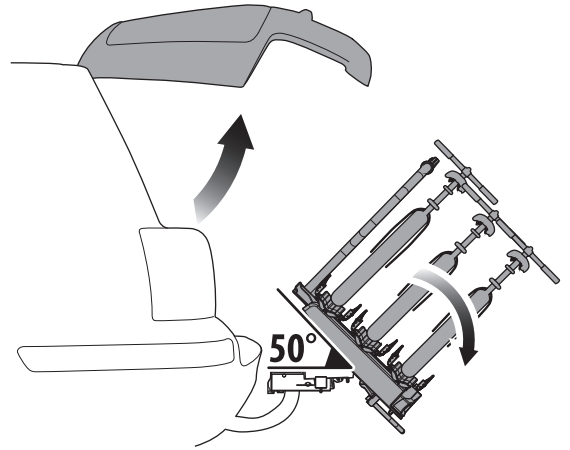
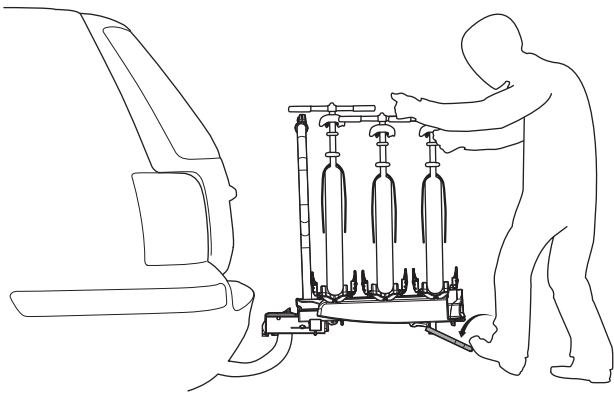


12

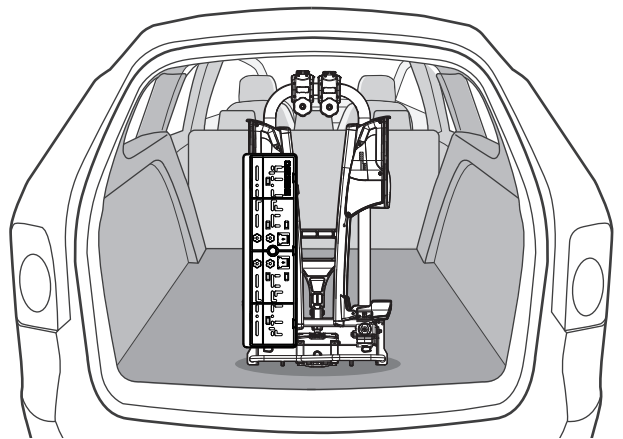
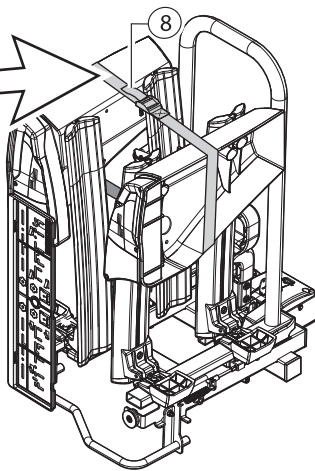
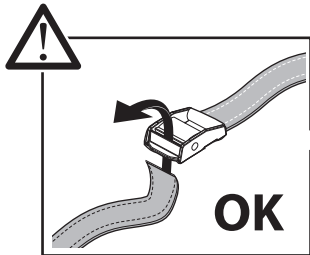
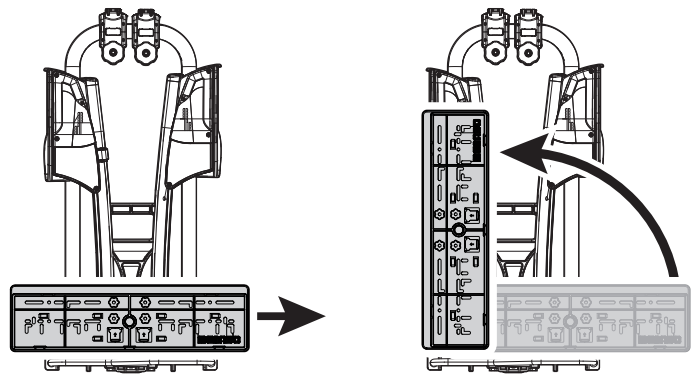
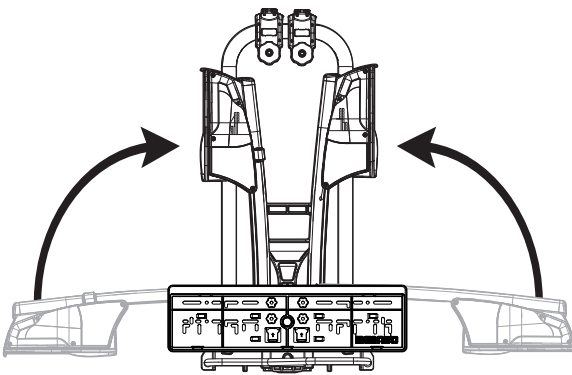


13

TILTING SYSTEM

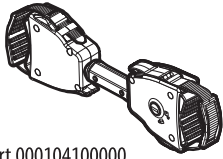


14



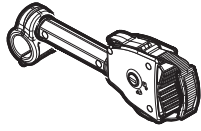
OPTIONAL

**BRACCETTO DOPIO
DOUBLE RATCHET**



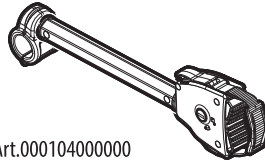
Art.000104100000

**BRACCETTO CORTO
SHORT RATCHET**



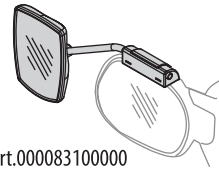
Art.000103900000

**BRACCETTO LUNGO
LONG RATCHET**



Art.000104000000

EVIDENCE MIRROR










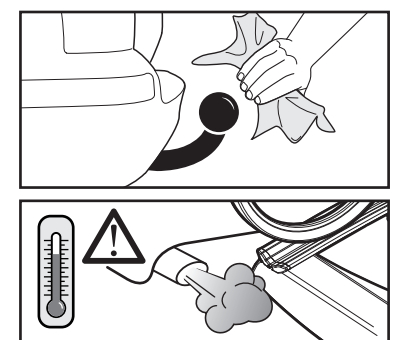
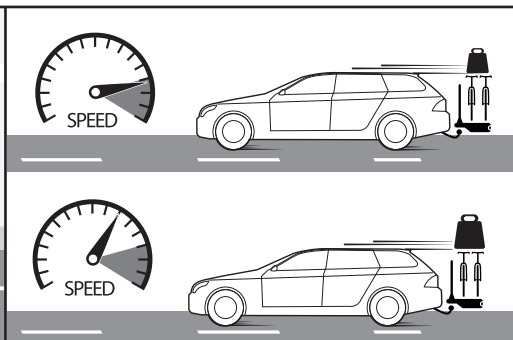
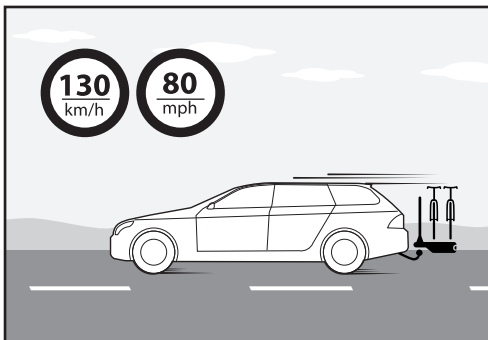
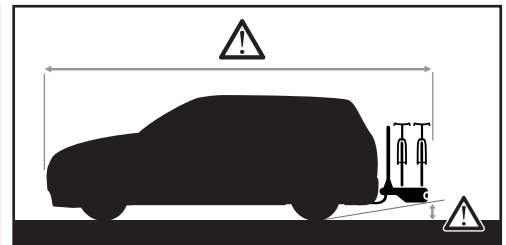
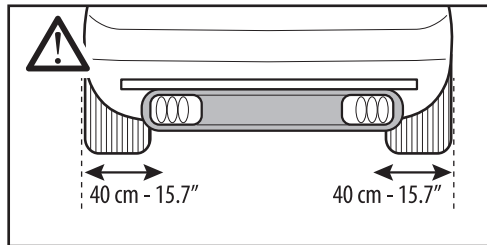
Art.000083100000

**RAMPA
RAMP**



Art.000082100000

 MAX 94/20/CE STANDARD	 Antares 2	x2 	 Antares 3	Standard	x3	E-bike	x2
					OR 		
50 kg - 110lb	16 kg - 35.2lb	MAX 30kg - 66lb	18,4kg - 40.5lb	MAX 20kg - 44lb	MAX 30kg - 66lb		
60 kg - 132lb		34 kg - 75lb		31.6 kg - 69.6lb			
70 kg - 154.3lb		44 kg - 97lb		41.6 kg - 92lb			
80 kg - 176.4lb		54 kg - 119lb		51.6 kg - 114lb			
>80 kg - 176.4lb		64 kg - 141lb		61.6 kg - 136lb			



F.lli Menabò S.r.l.
 Via 8 Marzo, 3 -Z.I. Corte Tegge
 42025 Cavriago (RE) ITALY
 customercare@flli-menabo.it
 www.menabocaraccessories.com



500038900001
 11/06/2024